

## Guide pins

### SPECIFICATION

Steel

- hardened (HRC 60 ±2)
- Fit sizes d p6 / d h6 ground

### INFORMATION

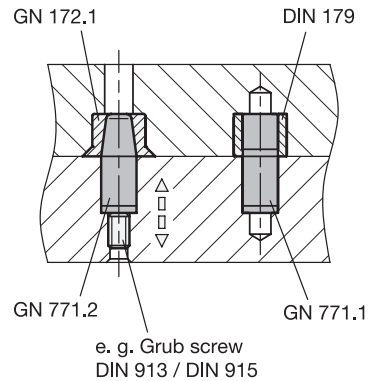
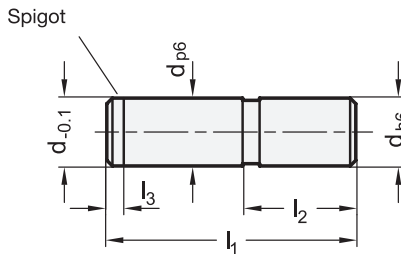
Guide pins GN 771.1 are used in combination with DIN 172 (see page 1006 ) / DIN 179 (see page 1008) guide bushings. The shaft tolerance p6 guarantees a perfect pressfit in a mounting borehole H7. The spigot l<sub>3</sub> makes the installation easier.

### TECHNICAL INFORMATION

- ISO-Fundamental Tolerances (see page A21)



### Mounting example



### GN 771.1

Description	d p6/h6	l <sub>1</sub>	l <sub>2</sub>	l <sub>3</sub>	△
GN 771.1-4-16-8	4	16	8	1.5	2
GN 771.1-5-18-8	5	18	8	1.5	3
GN 771.1-6-22-10	6	22	10	1.5	5
GN 771.1-8-24-10	8	24	10	2	9
GN 771.1-10-28-12	10	28	12	2	15
GN 771.1-12-30-12	12	30	12	2.5	26
GN 771.1-16-36-16	16	36	16	2.5	59